



IndigoVision



# HD Bullet Camera

Seamless open standard High Definition video

Part of IndigoVision's GX Range, the High Definition (HD) Bullet Camera (GX600) delivers pin sharp detail at 2MP resolution that is fully ONVIF conformant. Any single point of failure in the system is removed through IndigoVision's Distributed Network Architecture (DNA).

## Key Features

SENSOR

- HD
- Day/Night
- WDR

COMPRESSION

- H.264
- UP TO 30fps

INTELLIGENCE

- Motion Detection

OTHER

- DNA
- PoE
- ONVIF

PHYSICAL

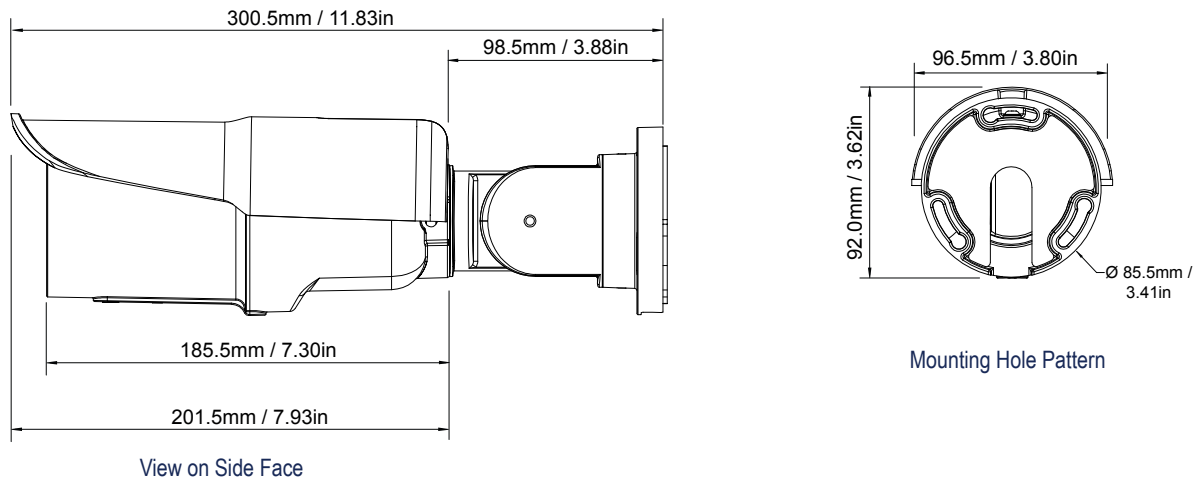
- Outdoor
- IR
- IK10

## Product Codes

Camera	
HD Bullet Camera with built-in IR illuminator	511666

Product Code 56xxxx also available to order consisting of 51xxxx Product Code plus Enhanced Management Software License.

## Dimensions



## Specification

Camera Features	
Sensor	1/2.7" Progressive CMOS
Active Pixels (HxV)	2MP (1920 x 1080)
Horizontal Resolution	> 800 TVL
Minimum Sensitivity	Day: 0.2 lux (color). Night: 0.02 lux (mono) 30 IRE, F1.2, 1/15s shutter
Dynamic Range	WDR Low/Medium/High
Gain Control	Auto/Manual setting across a 40dB range
Back Light Compensation	On/Off
White Balance Mode	Auto/Manual
Day/Night	True Day/Night with Mechanical IR Cut Filter
IR Illuminator	Built-in IR Illuminator 850nm wavelength, effective distance >20m
Video Resolution	1920x1080 pixels (1080p); 1280x720 pixels (720p); 720x480 pixels (D1); 352x240 pixels (SIF)
Signal/Noise Level	> 39dB
Lens Options	Standard: 2.8mm - 12mm, Horizontal view angle 111°(W) 36°(T), F1.4, Vari-focal, M14 mount
Iris Control	DC Auto-iris
Shutter	Rolling; Auto from 1/3.75 to 1/10000 sec
Exposure Control	Auto/Manual/Slow AE
Video Compression	Full frame rate, full color: H.264/MJPEG; up to 30fps @ 1080p resolution
Video Bit Rate	User-configurable bit rates from 500Kbps up to 8Mbps
Video Multi-Streaming	Up to 16Mbps total video output; Unlimited multicast connections. Up to four 4Mbps unicast connections; Up to eight 1Mbps unicast connections
Video Multi-Encoder	Two simultaneous resolutions including: up to 1080p (30fps) plus D1 (30fps) or SIF (30fps) Or two simultaneous resolutions including: up to 720p (30fps) plus 720p (15fps), D1 (30fps) or SIF (30fps) Or three simultaneous resolutions including: up to 1080p (15fps), plus D1 (15fps) or SIF (15fps) , plus D1 (15fps) or SIF (15fps)
Video Analytics	Motion Detection
Network Interface	IEEE802.3 and IETF standards: 10/100 Base-T Ethernet, TCP, UDP, RTP, RTSP, HTTP, uPnP, DHCP
Time	NTP client
Dimension/Weight	92.0mm (dia.) x 185.5mm (1) and 0.9Kg (with sun shade) / 3.62in (dia.) x 7.30in (1) and 1.984lb (with sun shade)
Regulatory	EN 55022 Class A, EN 61000-3-2, EN 61000-3-3, AS/NZS CISPR 22, FCC Part 15 Subpart B Class A, EN 50130-4, AS/NZS CISPR 24, IEC 61000-4-2, IEC 61000-4-3, IEC 61000-4-4, IEC 61000-4-5, IEC 61000-4-6, IEC 61000-4-8, IEC 61000-4-11
Housing	Vandal resistant diecast aluminium alloy with polycarbonate sun shade
Protection Rating	IP66, IK10 (IEC 62262)
Electrical	PoE (802.3af Class 0) 10W. Power supply ordered separately (Product code: 110061)
Operating Temperature	-20°C to 50°C (-4°F to 122°F)
Cold Start	0°C (32°F)
IndigoVision Software Requirements	Control Center v12.2 or later
ONVIF	Profile S