



IndigoVision

BXRANGE

18x Optical



XP HD PTZ Camera

Safe and Secure.

Designed for safety, the IndigoVision XP HD cameras deliver outstanding video security for hazardous areas where explosions could occur.

Key Features

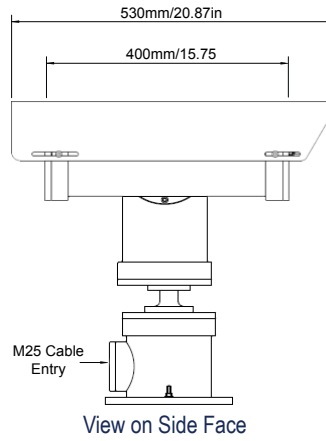
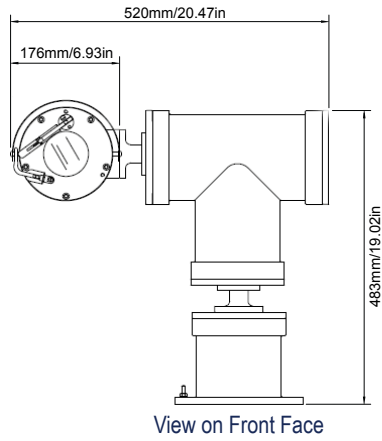
SENSOR					
	Day/Night	Low Light	WDR		
	COMPRESSION				
		H.264	UP TO 30fps		
INTELLIGENCE					
OTHER					
	DNA	ONVIF	UL	INMETRO	
	PHYSICAL				
		Outdoor	Low Temp	High Temp	

Product Codes

XP HD PTZ Camera (NTSC)	Camera
18x Autofocus Lens, 24VAC, -20C to +50C, Wiper, UL/CSA Certified	511324
18x Autofocus Lens, 24VAC, -40C to +35C, Wiper, UL/CSA Certified	511334
18x Autofocus Lens, 24VAC, -20C to +50C, Wiper, INMETRO Certified	511326
18x Autofocus Lens, 24VAC, -40C to +35C, Wiper, INMETRO Certified	511336

Product Code 56xxxx also available to order consisting of 51xxxx Product Code plus Enhanced Management Software License.

Dimensions



Specification

Camera Features			
Sensor	1/2.7" Progressive CMOS		
Active Pixels (HxV)	2 MP (1920 x 1080)		
Horizontal Resolution	> 800 TVL		
Minimum Sensitivity	Day: 0.2 lux; Night: 0.02 lux		
Dynamic Range	WDR Low/Medium/High		
Gain Control	Auto/Manual setting across a 40dB range		
Back Light Compensation	On/Off		
White Balance Mode	Auto/Manual/ATW		
Day/Night	True Day/Night with Mechanical IR Cut Filter		
Video Resolution	1920x1080 (1080p); 1280x720 (720p); 720x480 pixels (D1 NTSC); 352x240 pixels (SIF NTSC)		
Lens Options	18x Autofocus: 4.7mm - 84.6mm, Horizontal view angle 61.5° (W) 3.3° (T), F1.6		
Zoom	18x optical + 10x digital		
Iris Control	DC Auto-iris		
Shutter	Rolling; Auto from 1 to 1/10000 sec		
Exposure Control	Auto/Manual/Slow AE		
Video Compression	Full frame rate, full color: H.264/MJPEG; up to 30fps @ 1080p resolution		
Video Bit Rate	User-configurable bit rates from 64Kbps up to 8Mbps		
Video Multi-Streaming	Up to 32Mbps total video output; Unlimited multicast connections. Up to four 8Mbps unicast connections; Up to sixteen 1Mbps unicast connections		
Video Multi-Encoder	Up to three simultaneous resolutions including: 1080p (30fps), 720p (30fps), D1 (30fps), SIF (30fps)		
Video Analytics	Motion Detection, Hooded		
Network Interface	IEEE802.3 and IETF standards: 10/100 Base-T Ethernet, TCP, UDP, RTP, RTSP, ICMP, IGMP, SNMP, HTTP, HTTPS, PPPoE, uPnP, QoS, DHCP		
Network Security	HTTPS / IP Filter / IEEE 802.1x		
Time	Embedded real-time clock, NTP client		
Dimension/Weight	530mm (d) x 520mm (w) x 483mm (h) and 50Kg / 20.87in (d) x 20.47in (w) x 19.02in (h) and 110.23lb		
Regulatory	EN 55022 Class A, EN 55024, CFR47 Part 15 subpart B - Class A, Zones 1, 2, 21, 22. Onshore, Offshore, Marine & Heavy Industrial, II 2 G Ex d pr IIC T4 (T5 & T6 Available on Request), II 2 D Ex tb IIIC T135° Db IP6x, IECExITS10.0063X		
Housing	Electropolished 316L Stainless Steel with wiper and sunshade as standard		
Protection Rating	IP67		
Electrical	Maximum 120W. 24V AC; 110-230V AC Option		
Operating Temperature	-40°C to 35°C or -20°C to 50°C (-40°F to 95°F or -4°F to 122°F)		
IndigoVision Software Requirements	SMS4™ r8/Control Center 11.0 or later		
ONVIF	Profile S		
PTZ Control			
Preset	64	Tilt Range	-90° (above horizon) to +90° (vertically down)
Preset Accuracy	0.1°	Pan/Tilt Speed	0.5-45°/s
Pan Range	360° Continuous Rotation		

Accessories

Accessories	Product Code
XP PTZ Camera Wall Mount	110182
XF/XP ATEX Armoured Cable (3m)	110181